

4

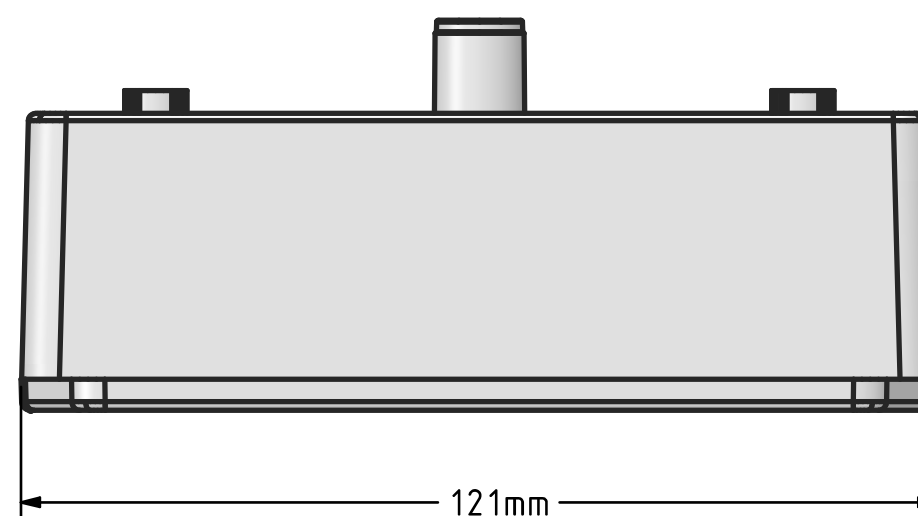
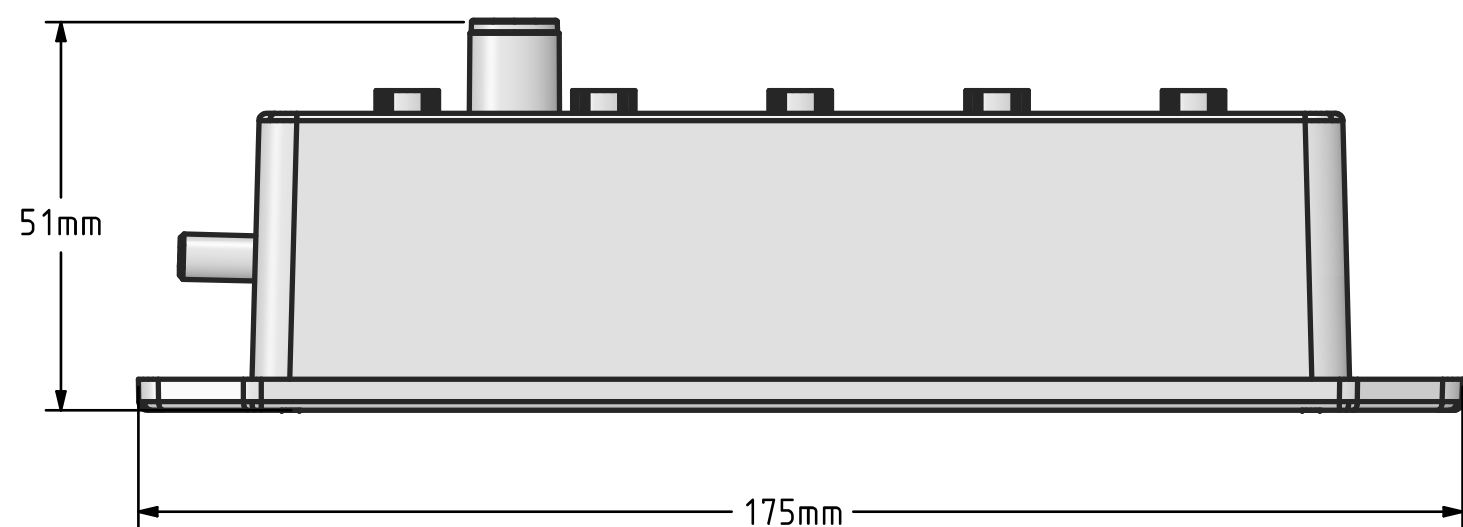
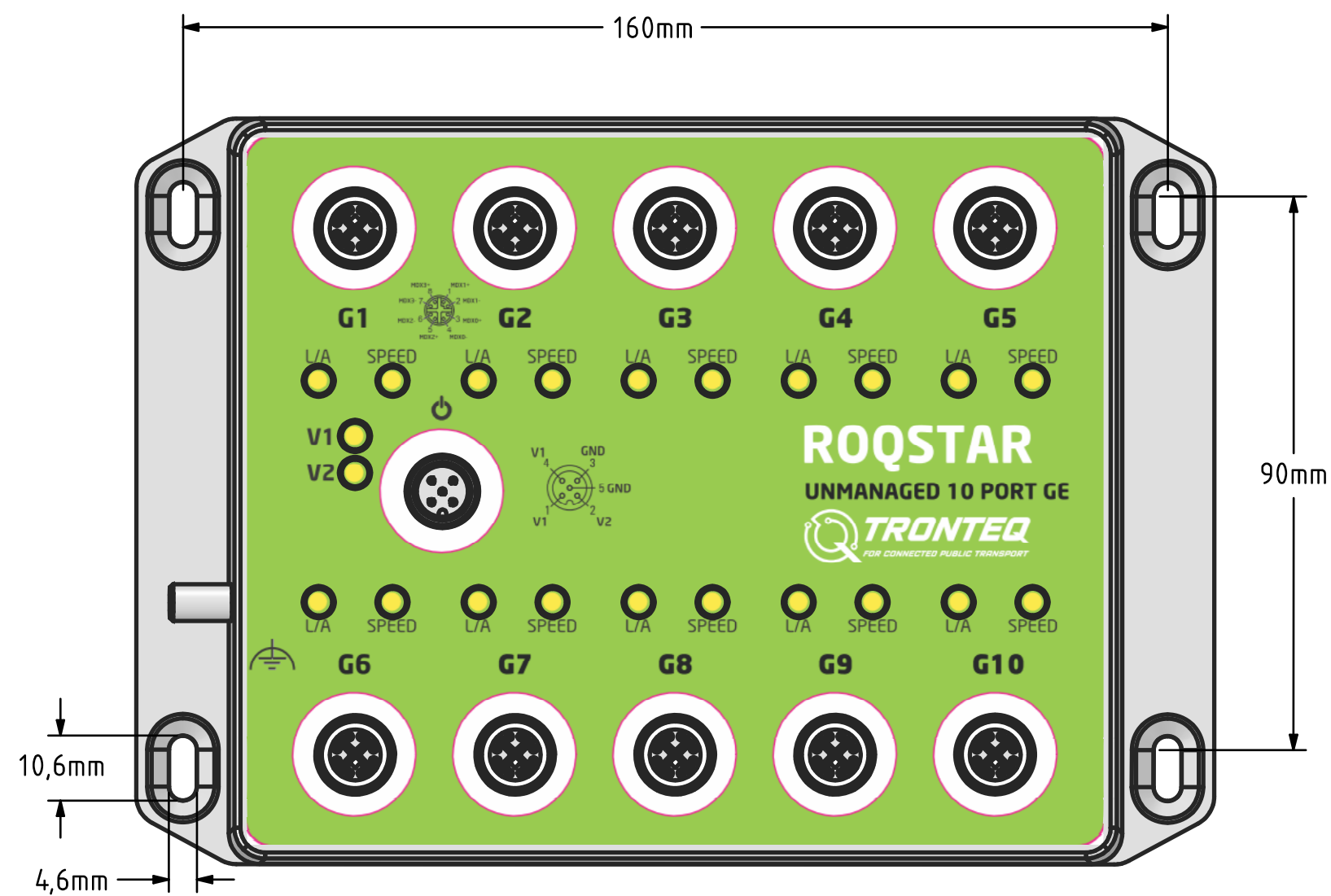
3

2

1

REVISION HISTORY

REV	DESCRIPTION	INCORP BY	DATE	CHECKED



THIRD ANGLE PROJECTION 	CONTRACT NO.	MATERIAL
		ADC 12
		FINISH
		RAL9016 Powder Coating
	TREATMENT	
	NEXT ASSY	USED ON
	APPLICATION	

QTY	REQD	ITEM NO.	PART OR IDENTIFYING NO.	NOMENCLATURE OR DESCRIPTION		
				PARTS LIST		
INIT	APPROVALS	DATE	INIT	APPROVALS	DATE	TRONTEQ
EM	version 8009444.02	27-05-2020				
TITLE						006-130-130 Z00
SIZE	CAGE CODE	DWG NO.	REV			
C		DRW130130Z00	00			
SCALE		SHEET				

4

3

4

2

A