

4

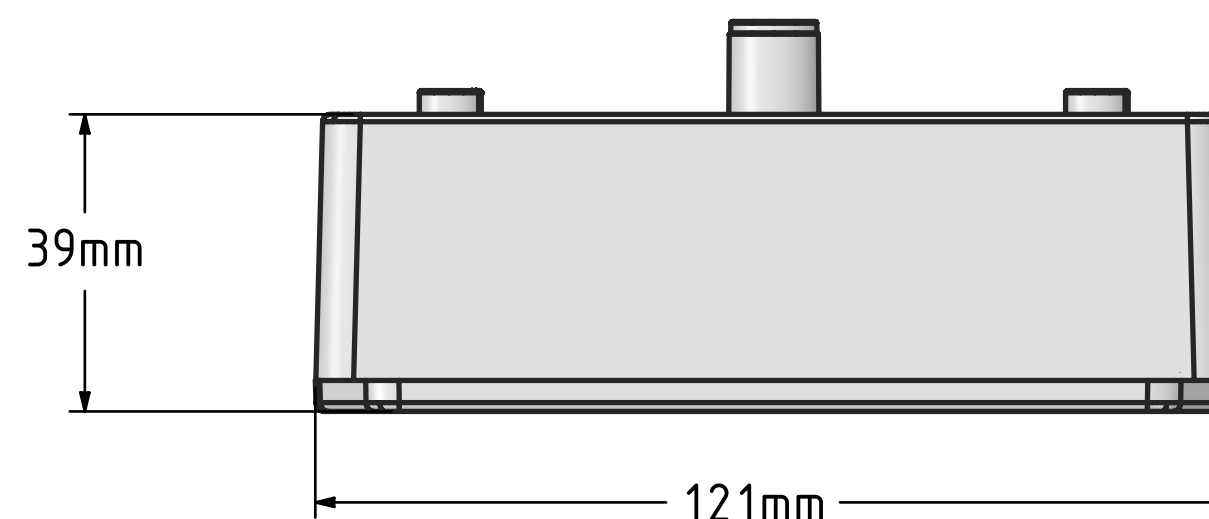
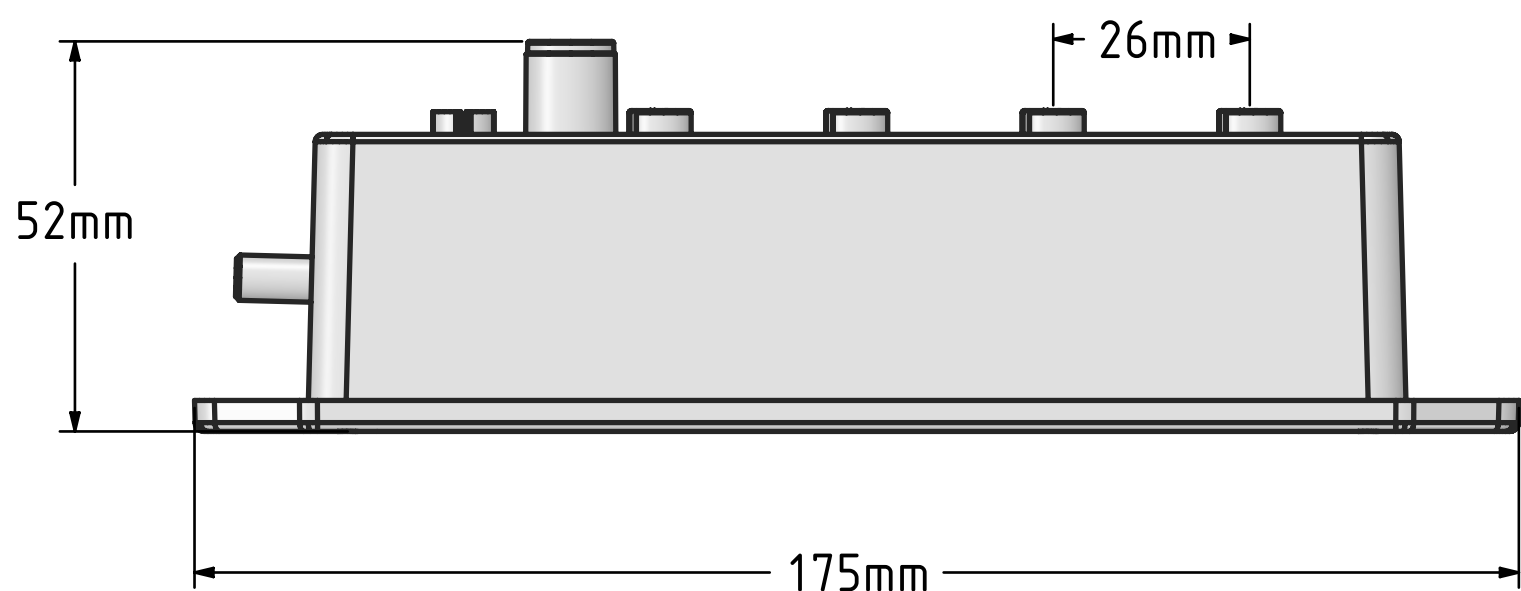
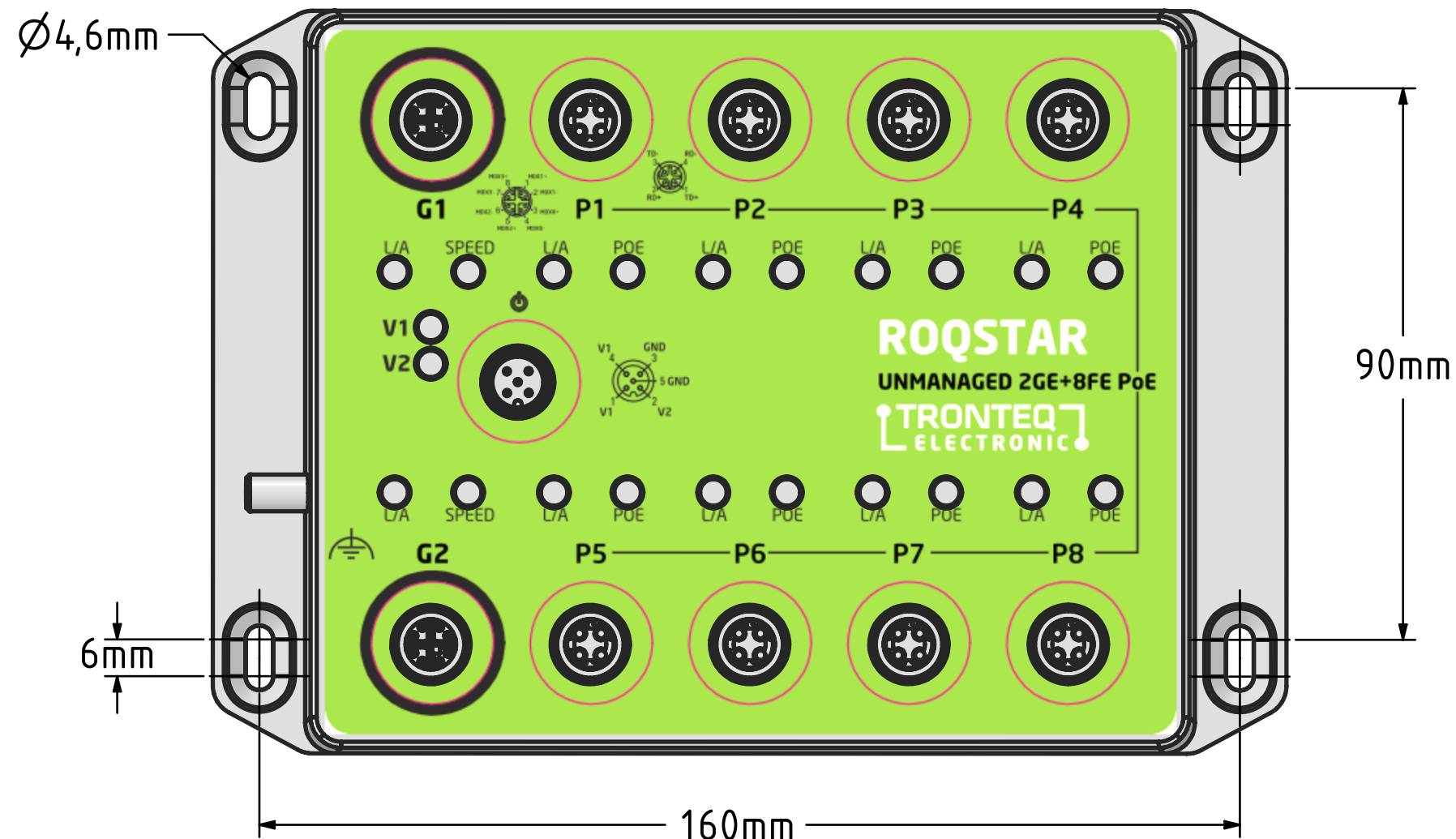
3

2

1

REVISION HISTORY

| REV | DESCRIPTION | INCORP BY | DATE | CHECKED |
|-----|-------------|-----------|------|---------|
| | | | | |



| | | |
|----------------------------|--------------|------------------------|
| THIRD ANGLE PROJECTION | CONTRACT NO. | MATERIAL |
| | | ADC 12 |
| | | FINISH |
| | | RAL9016 Powder Coating |
| | TREATMENT | |
| | NEXT ASSY | USED ON |
| | APPLICATION | |

| QTY | REQD | ITEM NO. | PART OR IDENTIFYING NO. | PARTS LIST | | | NOMENCLATURE OR DESCRIPTION | | |
|-----|------|--------------------|-------------------------|------------|-----------|------------|-----------------------------|-----------|------|
| -2 | -1 | | | INIT | APPROVALS | DATE | INIT | APPROVALS | DATE |
| EM | | version 8009444.02 | | | | 2020-05-27 | | | |
| | | | | | | | | | |
| | | | | | | | | | |
| | | | | | | | | | |
| | | | | | | | | | |
| | | | | | | | | | |
| | | | | | | | | | |

TRONTEQ

TITLE
006-103-116

| | | | |
|-----------|-----------|-------------------------|-----------|
| SIZE C | CAGE CODE | DWG NO. DRW130116Z01 | REV 01 |
| SCALE | | | SHEET |

4

3

2

A