

4

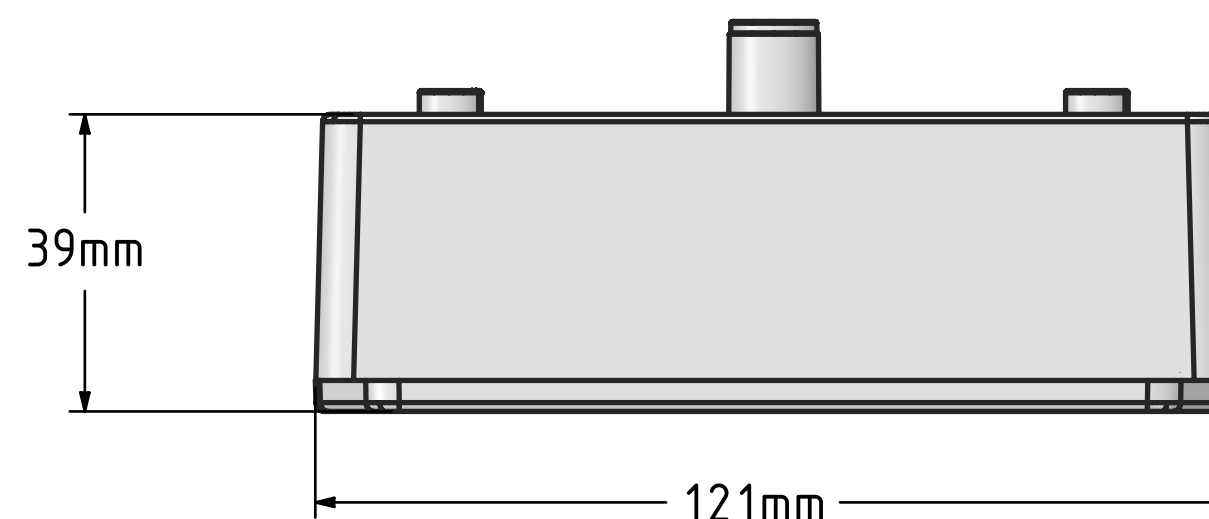
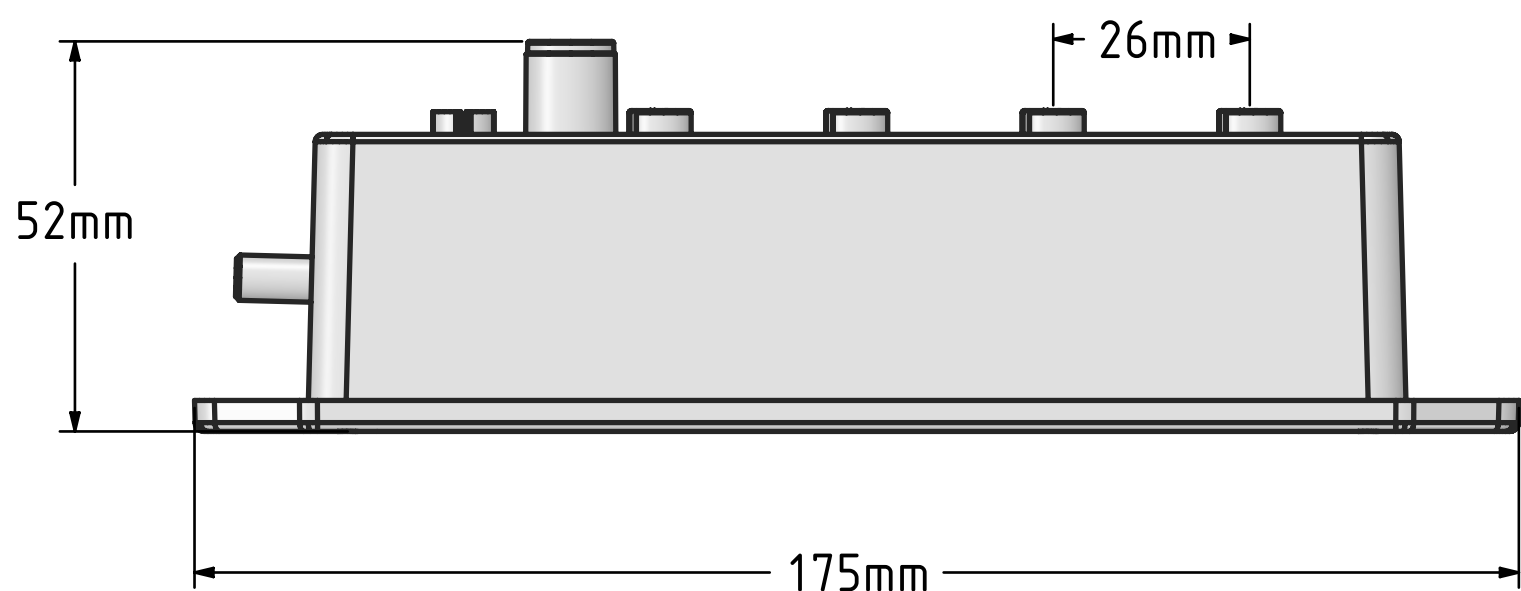
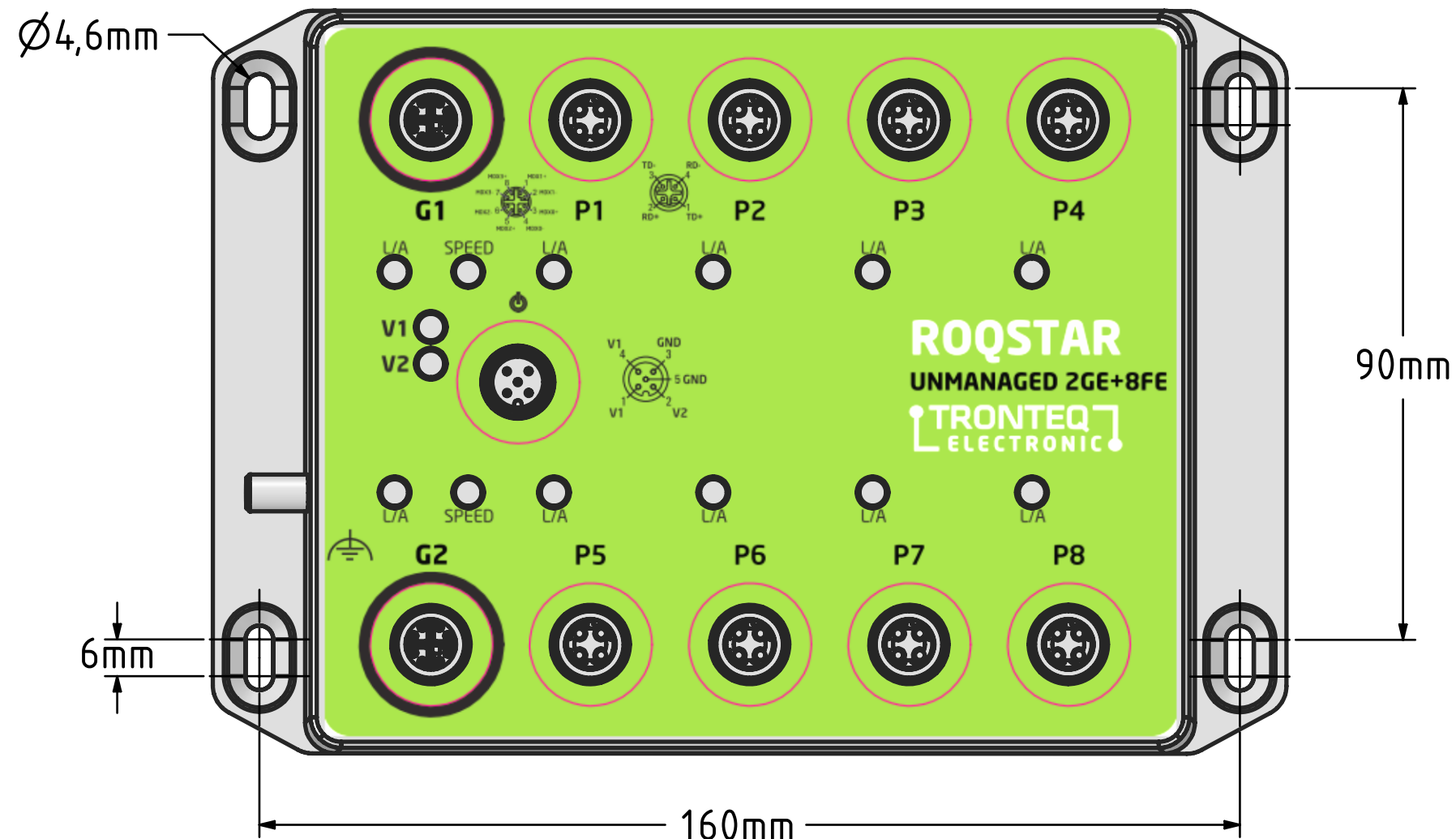
3

2

1

REVISION HISTORY

REV	DESCRIPTION	INCORP BY	DATE	CHECKED



THIRD ANGLE PROJECTION 	CONTRACT NO.	MATERIAL
		ADC 12
		FINISH
		RAL9016 Powder Coating
	TREATMENT	
	NEXT ASSY	USED ON
	APPLICATION	
		SIMILAR TO

-2		-1		ITEM	PART OR IDENTIFYING NO.			NOMENCLATURE OR DESCRIPTION		
QTY	REQD			NO.						
INIT	APPROVALS	DATE	INIT	APPROVALS	DATE	<b>TRONTEQ</b> TITLE <b>006-103-115</b> SIZE C CAGE CODE DWG NO. DRW130115Z01 REV 01 SCALE SHEET				
EM	version 8009444.02	2020-05-27								

4

3

2

A