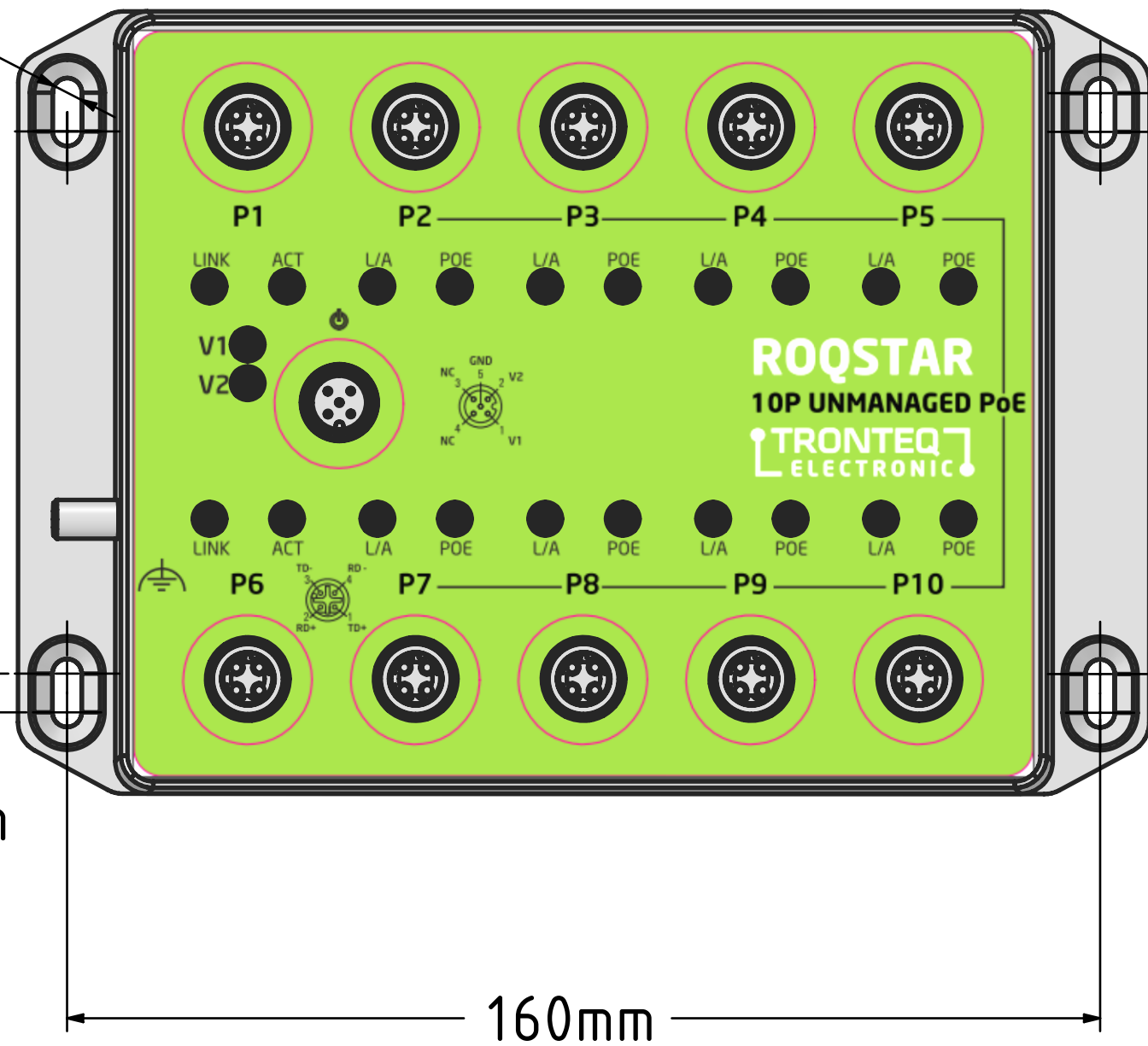


REVISION HISTORY

REV	DESCRIPTION	INCORP BY	DATE	CHECKED

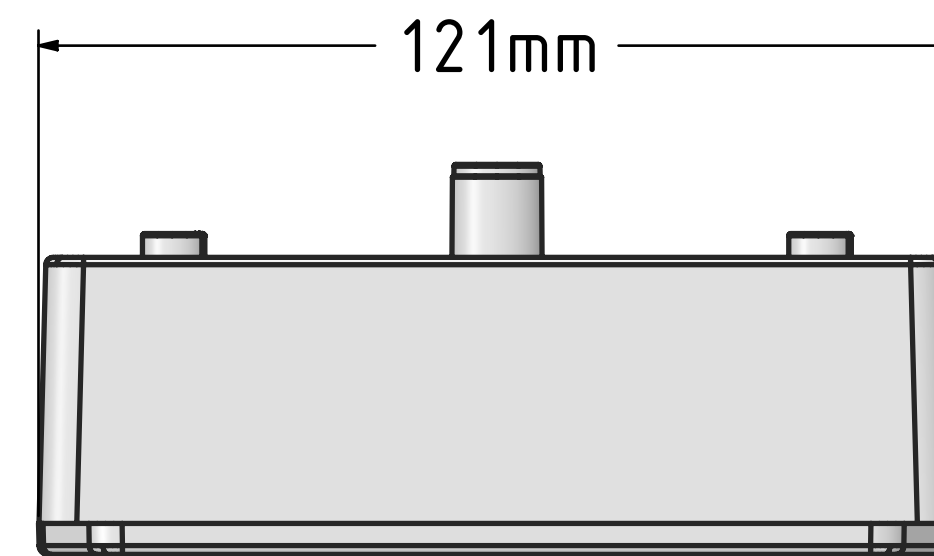
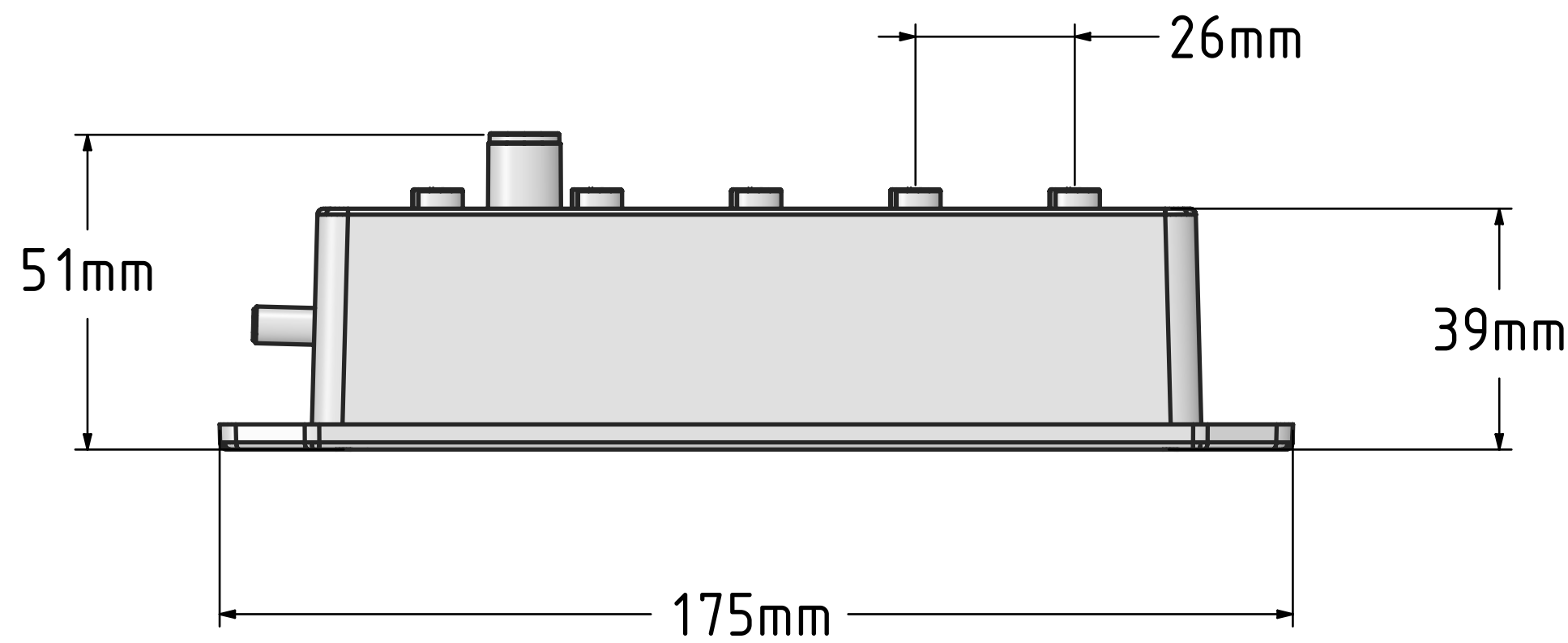
Ø4,6mm



90mm

6mm

160mm



-2		-1		ITEM	PART OR IDENTIFYING NO.			NOMENCLATURE OR DESCRIPTION			
QTY	REQD			NO.							
INIT	APPROVALS	DATE	INIT	APPROVALS	DATE	<b>TRONTEQ</b>					
EM	version 8009444.02	2019-11-07									
						TITLE					
						006-130-114 Z01					
SIZE		CAGE CODE		DWG NO.		REV					
C				DRW130114Z01		01					
SCALE				SHEET							

THIRD ANGLE PROJECTION 	CONTRACT NO.		MATERIAL
			ADC 12
			FINISH
			RAL9016 Powder Coating
		TREATMENT	
NEXT ASSY		USED ON	SIMILAR TO
APPLICATION			

4

3

4

2

1

A

A

B

B

C

C

D

D