

4

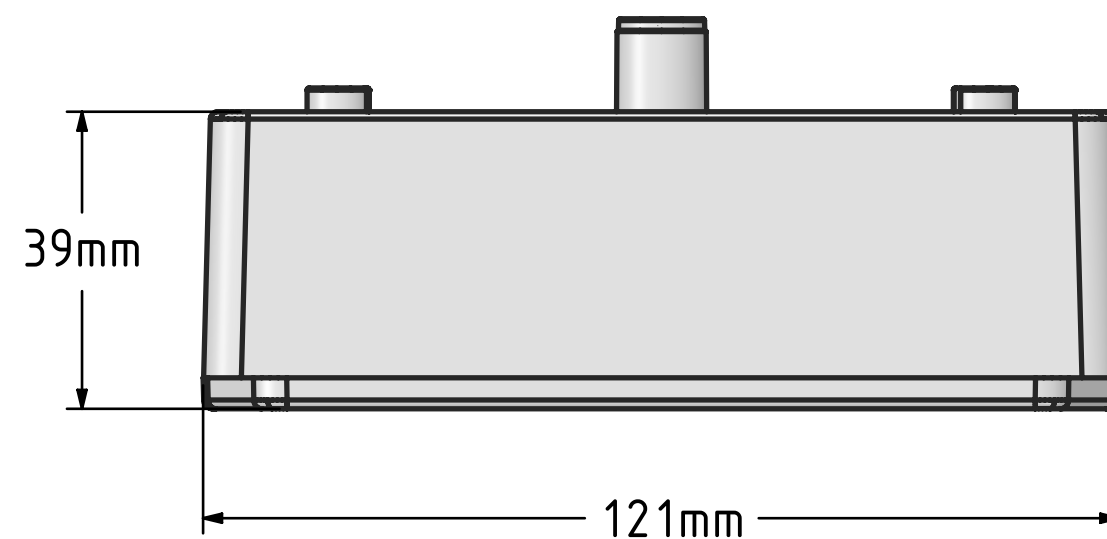
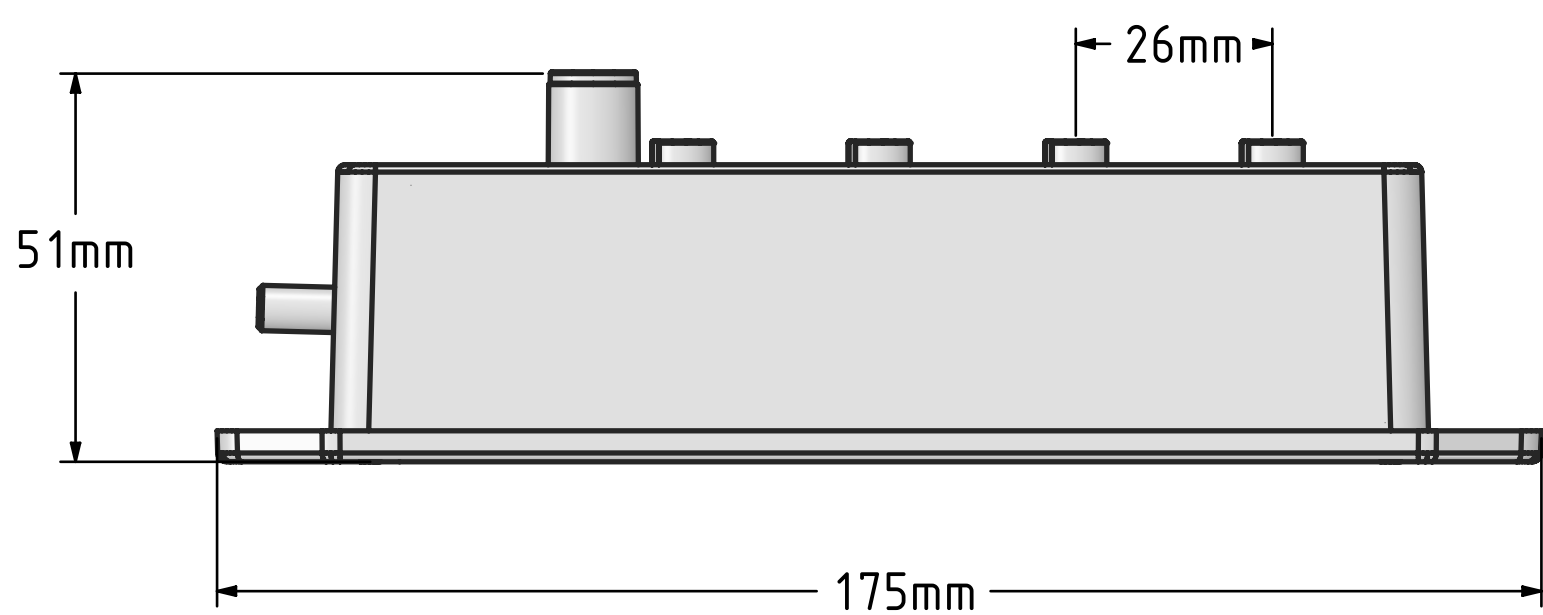
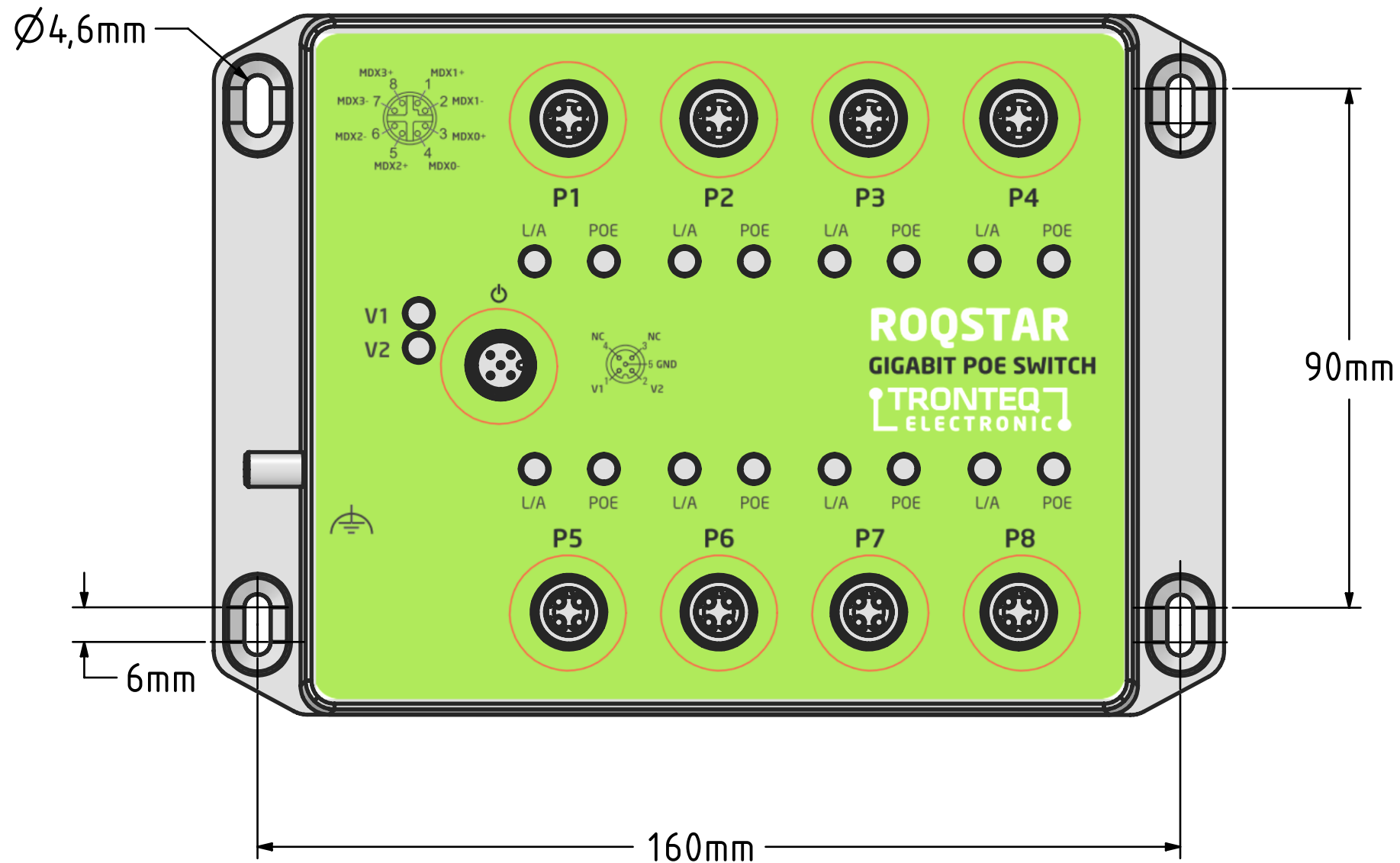
3

2

1

REVISION HISTORY

REV	DESCRIPTION	INCORP BY	DATE	CHECKED



THIRD ANGLE PROJECTION	CONTRACT NO.		MATERIAL
			ADC 12
			FINISH
			RAL9016 Powder Coating
	NEXT ASSY	USED ON	TREATMENT
	APPLICATION		SIMILAR TO

-2		-1		ITEM	PART OR IDENTIFYING NO.			NOMENCLATURE OR DESCRIPTION			
QTY	REQD			NO.							
INIT	APPROVALS	DATE	INIT	APPROVALS	DATE	<h1>TRONTEQ</h1>					
EM	Version 8009444.02	2020-05-27									
PARTS LIST							TITLE				
							006-130-110 Z01				
SIZE		CAGE CODE		DWG NO.		REV					
C				DRW130110Z01		01					
SCALE				SHEET							

4

3

2

A