

4

3

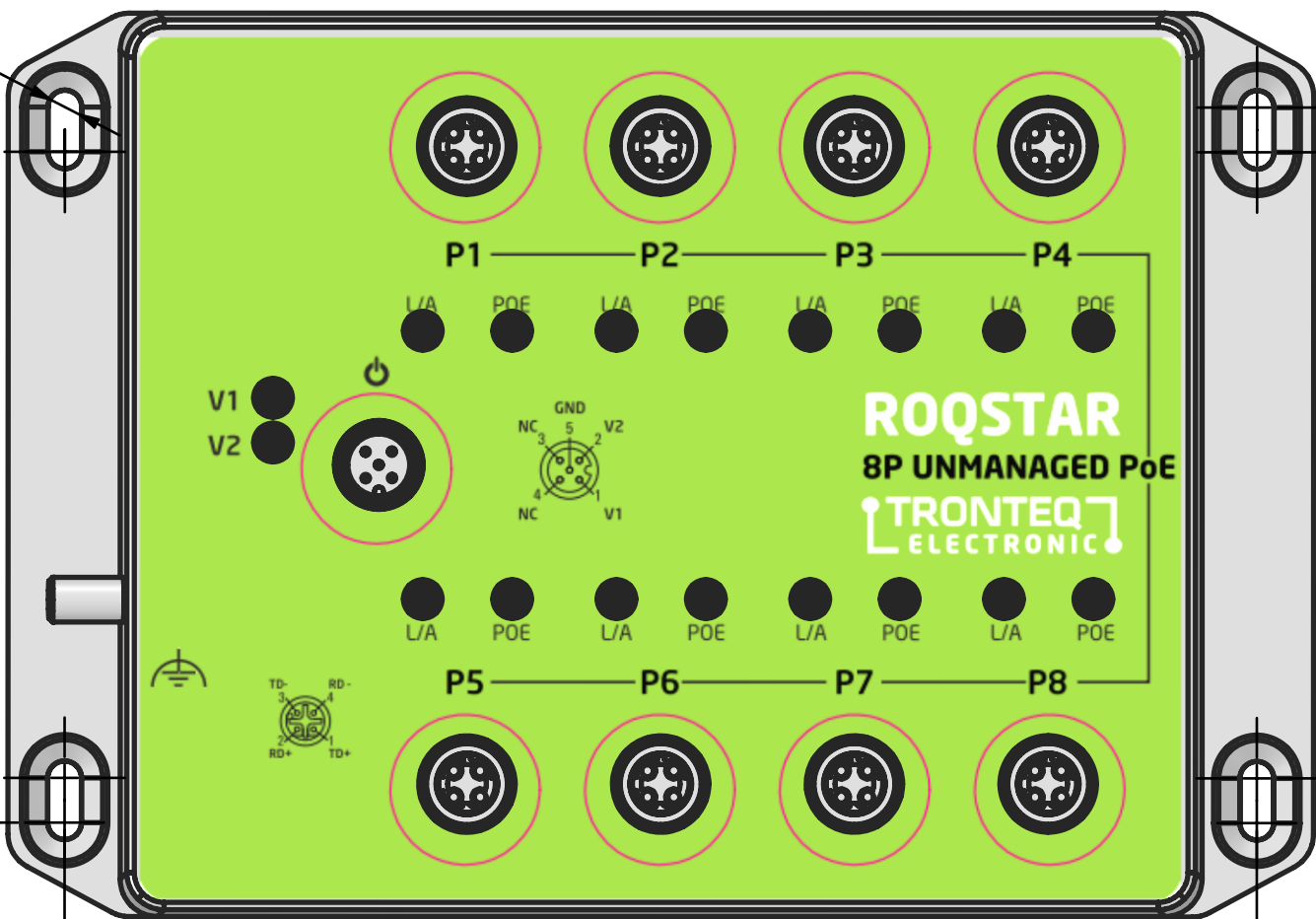
2

1

REVISION HISTORY

REV	DESCRIPTION	INCORP BY	DATE	CHECKED

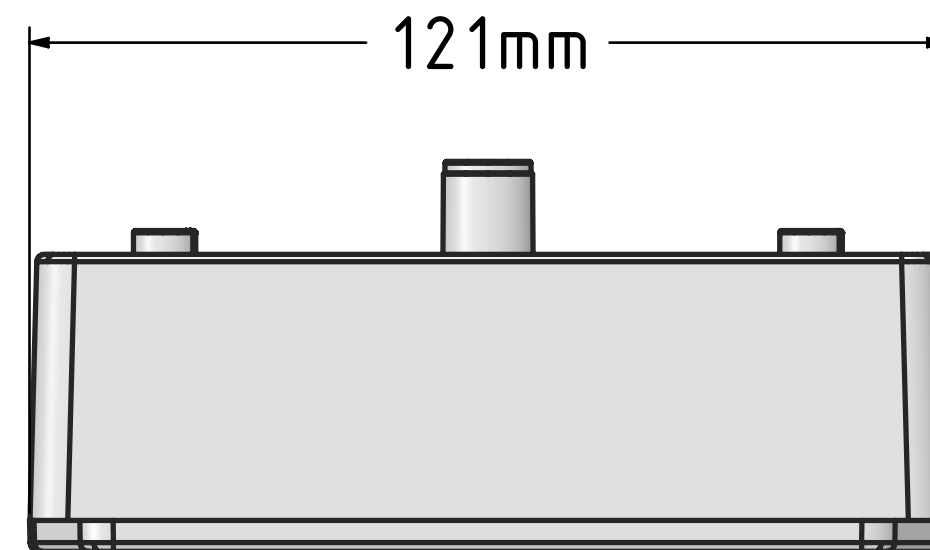
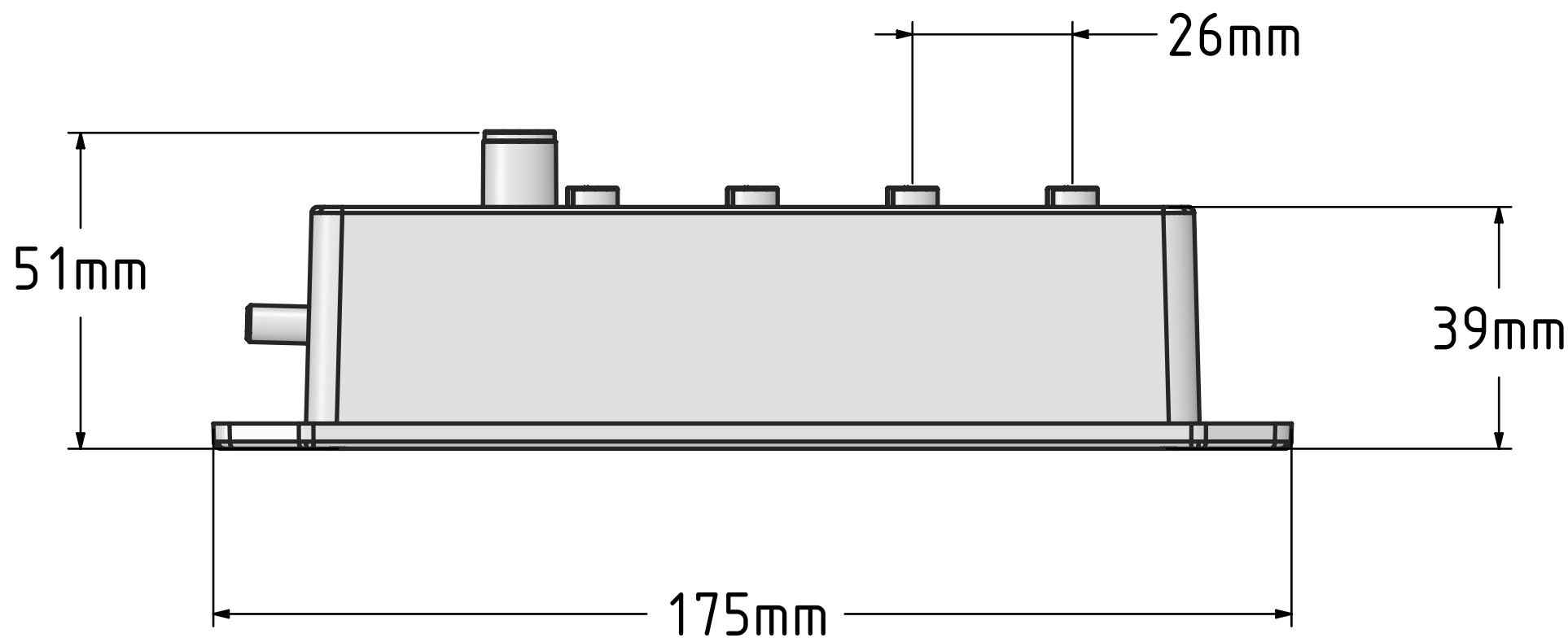
Ø4,6mm



90mm

6mm

160mm



<p>THIRD ANGLE PROJECTION</p>	CONTRACT NO.	MATERIAL
		ADC 12
		FINISH
		RAL9016 Powder Coating
	TREATMENT	
	NEXT ASSY	USED ON
	APPLICATION	
		SIMILAR TO

-2		-1		ITEM	PART OR IDENTIFYING NO.			NOMENCLATURE OR DESCRIPTION			
QTY	REQD			NO.							
INIT	APPROVALS	DATE	INIT	APPROVALS	DATE	<p><b>TRONTEQ</b></p> <p>TITLE</p> <p><b>006-130-106 Z01</b></p>					
EM	version 8009444.02	2019-11-07									
						SIZE	CAGE CODE	DWG NO.	DRW130106Z01	REV	01
						SCALE				SHEET	

4

3

2

A