

4

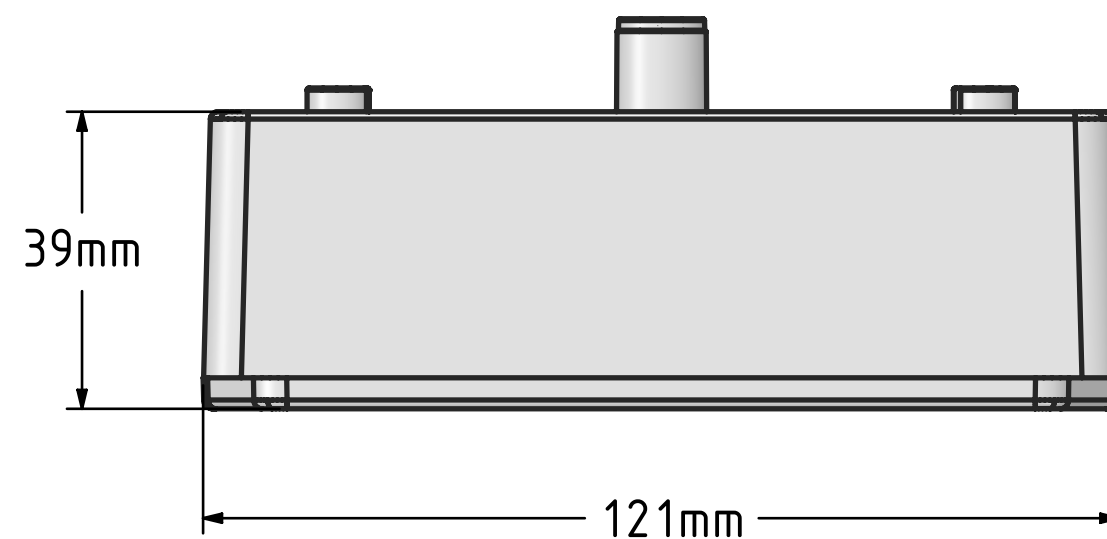
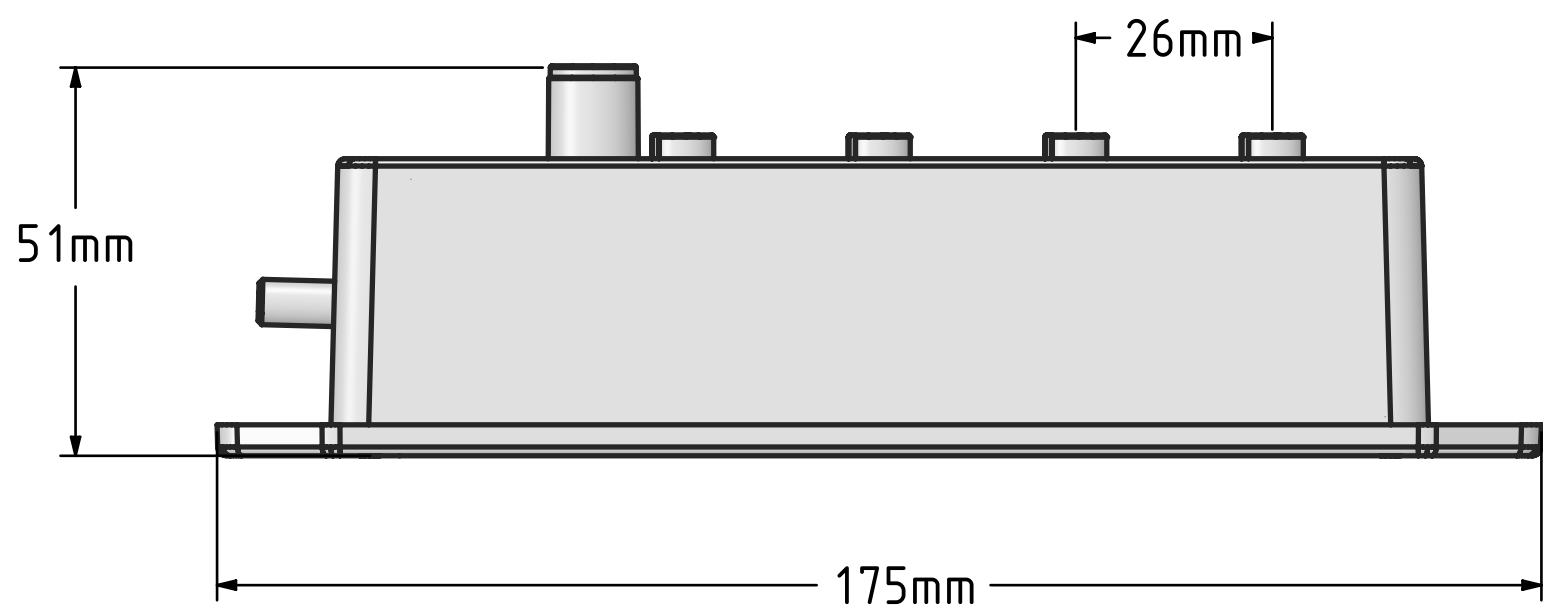
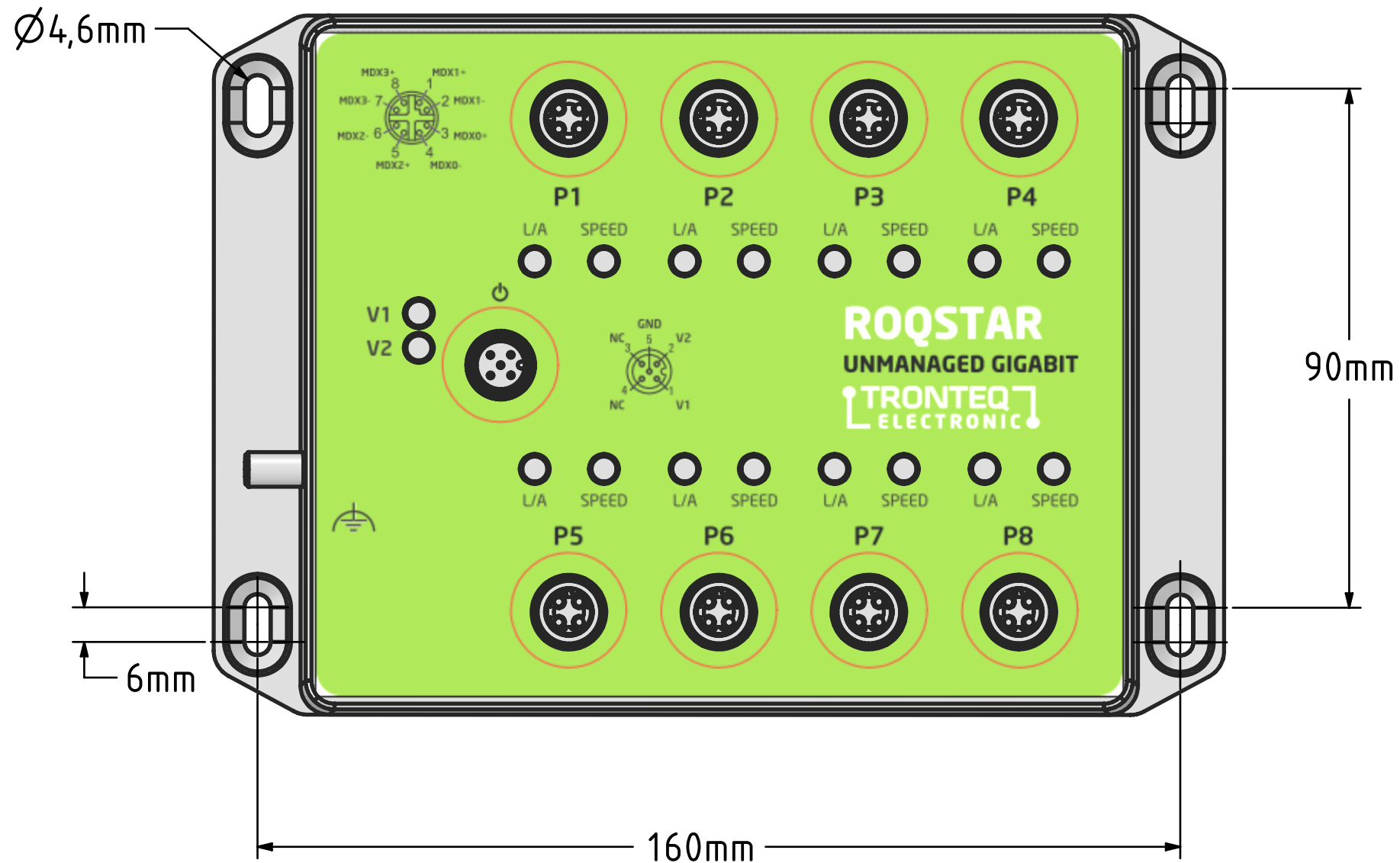
3

2

1

REVISION HISTORY

REV	DESCRIPTION	INCORP BY	DATE	CHECKED



THIRD ANGLE PROJECTION	CONTRACT NO.		MATERIAL
			ADC 12
	NEXT ASSY		FINISH
	USED ON		RAL9016 Powder Coating
APPLICATION		TREATMENT	
		SIMILAR TO	

-2		-1		ITEM	PART OR IDENTIFYING NO.			NOMENCLATURE OR DESCRIPTION			
QTY		REQD		NO.							
INIT	APPROVALS	DATE	INIT	APPROVALS	DATE	<h1>TRONTEQ</h1>					
EM	Version 8009444.02	2020-05-27									
							TITLE				
							006-130-105 Z01				
SIZE		CAGE CODE		DWG NO.		REV					
C				DRW130105Z01		01					
SCALE				SHEET							

4

3

2

A