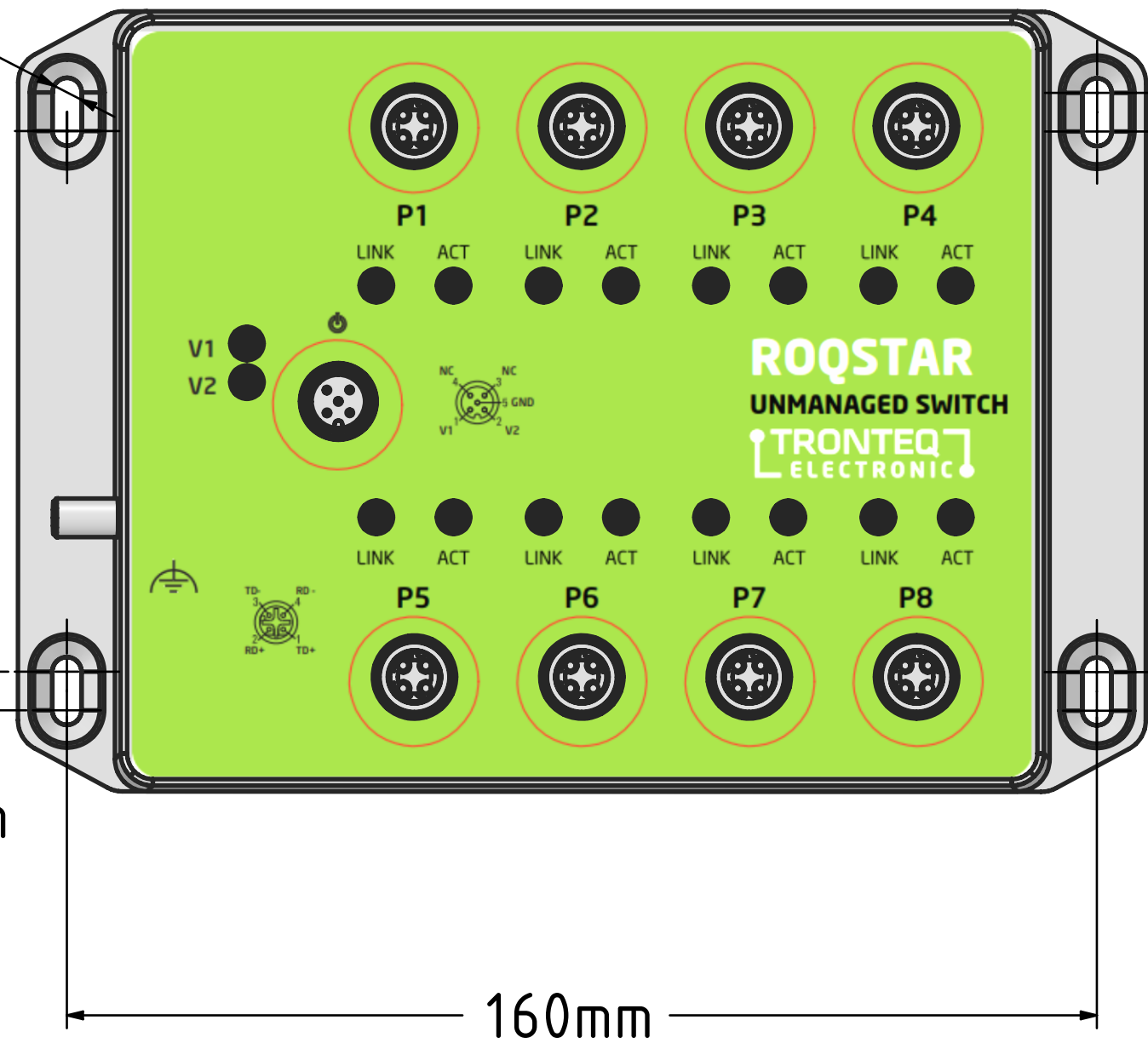


REVISION HISTORY

REV	DESCRIPTION	INCORP BY	DATE	CHECKED

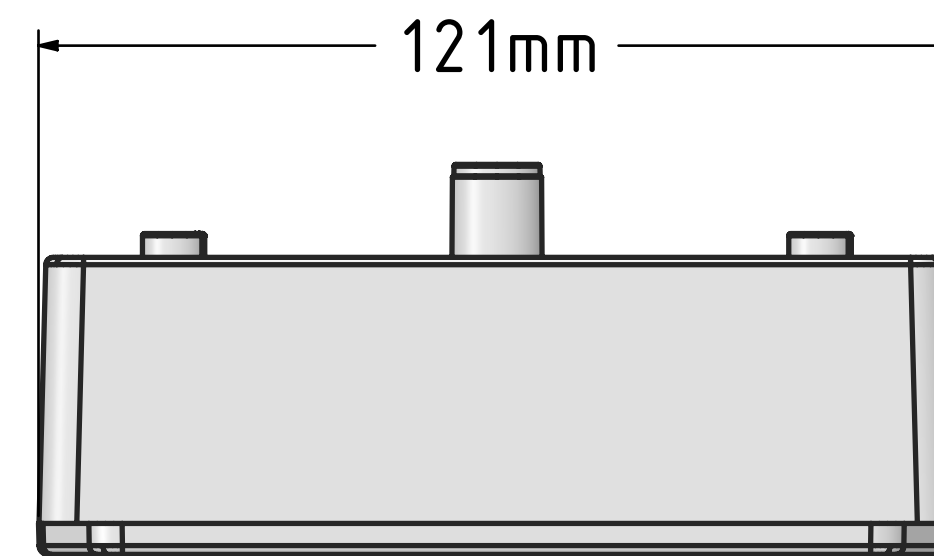
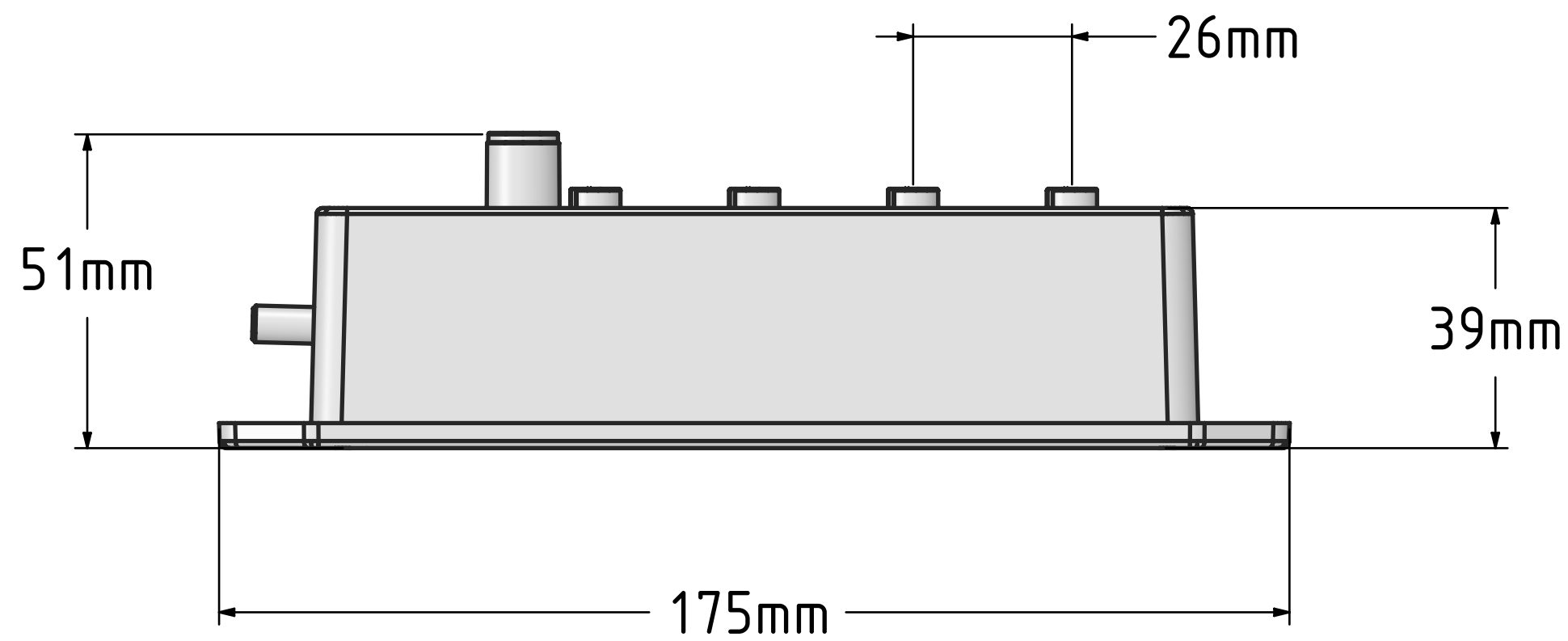
Ø4,6mm



90mm

6mm

160mm



THIRD ANGLE PROJECTION 	CONTRACT NO.	MATERIAL
		ADC 12
		FINISH
		RAL9016 Powder Coating
	TREATMENT	
	NEXT ASSY	USED ON
	APPLICATION	
		SIMILAR TO

-2		-1		ITEM	PART OR IDENTIFYING NO.			NOMENCLATURE OR DESCRIPTION		
QTY	REQD			NO.						
INIT	APPROVALS	DATE	INIT	APPROVALS	DATE	<b>TRONTEQ</b> TITLE <b>006-130-100 Z01</b>				
EM	version 8009444.02	2019-11-07								
						SIZE	CAGE CODE	DWG NO.	DRW130100Z01	REV
						C				01
						SCALE			SHEET	

4

3

4

2

1

A

B

C

D

A

B

C

D